

Technical data sheet



Product features

High-capacity boiling kettle gas indirect 300 l with automatic water charge

Model	SAP Code	00019667
--------------	-----------------	----------



- Device type: Gas unit
- Device heating type: Indirect
- Ignition: Electric
- Steam pressure regulation: Automatic - the pressure switch regulates the performance of the device
- Filling: Mechanical cock
- Jacket filling: Automatic
- Drain valve diameter: 2"
- Basin volume [l]: 300
- Usable volume [l]: 280

SAP Code	00019667	Power gas [kW]	40.000
Net Width [mm]	1400	Type of gas	Natural gas, propane butane
Net Depth [mm]	928	Basin volume [l]	300
Net Height [mm]	900	Usable volume [l]	280
Net Weight [kg]	250.00	Device heating type	Indirect
Power electric [kW]	0.023	Steam pressure regulation	Automatic - the pressure switch regulates the performance of the device
Loading	230 V / 1N - 50 Hz		

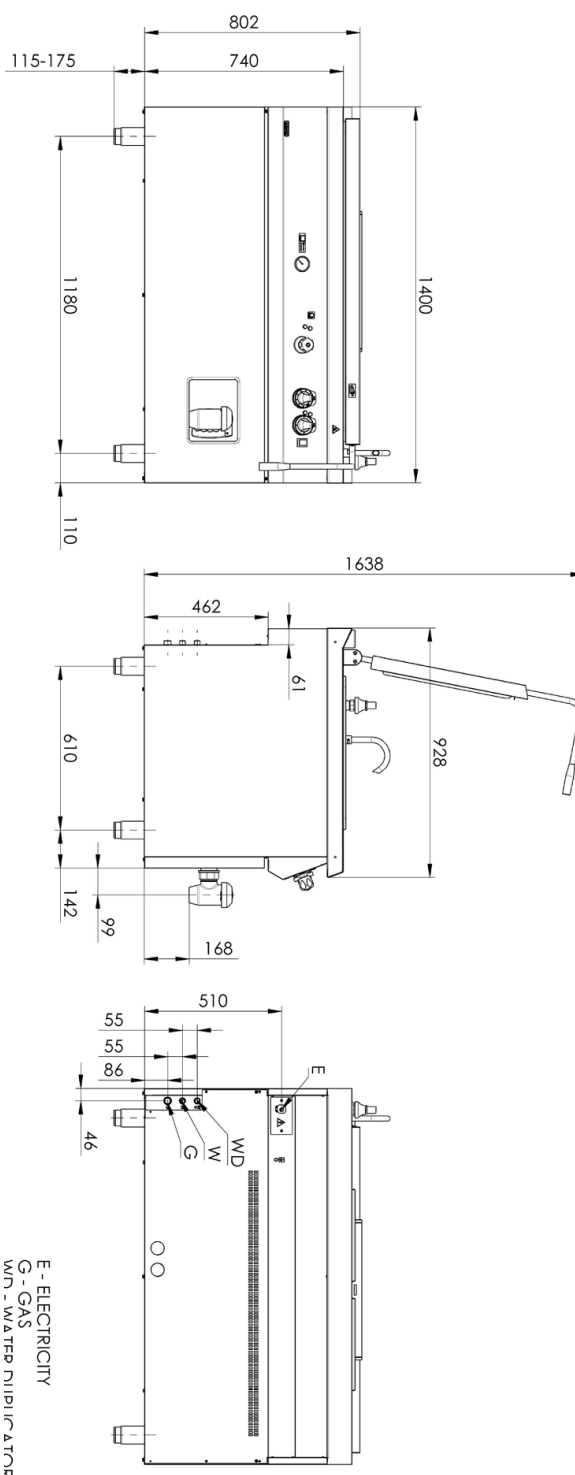
Technical data sheet



Technical drawing

High-capacity boiling kettle gas indirect 300 l with automatic water charge

Model	SAP Code	00019667
-------	----------	----------



High-capacity boiling kettle gas indirect 300 l with automatic water charge

Model

SAP Code

00019667

1

Top cover in front panel design

thanks to the design, the lines of the front panel and the lid are unified, the designed design allows easy maintenance by the user

- thanks to the design, the condensate is drawn to the back of the lid, eliminating the risk of scalding the operator with hot condensate; the user saves time and energy when maintaining the product

2

Ergonomic extended handle

even people of smaller stature can comfortably lift the lid to the fully open state

- the operator will not be scalded by steam when the lid is raised to the fully open position.

3

Sloped bottom for the sink

the entire volume of the container will flow out without the need to carry the food to the sink

- no residual puddles on the bottom of the cooking vessel; eliminates losses when food is poured out of the cooking vessel

4

Reinforced bottom without deformations

thanks to the reinforcements in the intermediate shell, the service life of the duplicator is extended, there is no deformation due to heat and expansion of the material

- several times longer life of the cooking vessel, where the reinforcements prevent tearing or deformation; the user does not have to replace the product with a new one after years of use, thus saving costs

5

Spill-resistant design controls

ergonomically comfortable, preventing water from entering the device

- due to the sufficient coverage of the controls, water does not leak into the device, thus prolonging the life of the control or eliminating the potential risk of leakage into the functional components of the device

6

Lines in the container

the operator knows at a glance how much food is inside the cooking vessel

- time-saving for the product operator when filling water or measuring the total quantity of food to be prepared

7

Duplicator automatic venting

thanks to the integrated pressure switch, the pressure in the intermediate casing is automatically regulated

- the user can concentrate on food preparation or ingredients as he does not have to monitor the pressure in the intermediate vessel.

8

Automatic duplicator allowance

due to automatic filling/offering, the operator does not have to stand for the device to fill and check the boiler filling

- the user of the appliance can concentrate on the preparation work instead of watching the water level in the intermediate vessel. thanks to automatic draining, the risk of damage to the intermediate pan and heating elements due to missing liquid is eliminated.

9

Rotatable filling arm

convenient filling of the duplicator container, the hanger is used for maintenance and cleaning of the cooking container

- convenient filling and cleaning of the cooking vessel, but the hanger does not interfere with the cooking vessel, thanks to its position on the top plate

10

Integrated waste overflow

condensed water drains directly from the top plate

- elimination of the risk of the operator slipping on the wet floor; excess liquids are drained directly into the central waste and not in front of or under the equipment

11

Pressed top plate

easier operation and cleanability, water does not flow over the edge on controls and service

the top plate retains its stiffness without deformation over time due to use

- operator safety when using the product, hygiene and strength of the equipment

Technical data sheet



Technical parameters

High-capacity boiling kettle gas indirect 300 l with automatic water charge

Model

SAP Code

00019667

1. SAP Code:

00019667

2. Article group:

Kettles

3. Net Width [mm]:

1400

4. Net Depth [mm]:

928

5. Net Height [mm]:

900

6. Net Weight [kg]:

250.00

7. Gross Width [mm]:

1435

8. Gross depth [mm]:

1030

9. Gross Height [mm]:

1085

10. Gross Weight [kg]:

260.00

11. Device type:

Gas unit

12. Construction type of device:

Stationary

13. Power electric [kW]:

0.023

14. Loading:

230 V / 1N - 50 Hz

15. Power gas [kW]:

40.000

16. Ignition:

Electric

17. Type of gas:

Natural gas, propane butane

18. Protection of controls:

IPX4

19. Device color:

Stainless steel

20. Material:

AISI 304 top plate and cladding

21. Indicators:

operation and warm-up

22. Drain valve diameter:

2"

23. Worktop type:

Molded - comfortable cleaning maintenance

24. Worktop material:

AISI 304

25. Worktop Thickness [mm]:

2.00

26. Surface finish:

polished stainless steel

27. Device heating type:

Indirect

28. Basin volume [l]:

300

Technical data sheet



Technical parameters

High-capacity boiling kettle gas indirect 300 l with automatic water charge

Model

SAP Code

00019667

29. Device capacity [l]:

300.00

39. Usable volume [l]:

280

30. Maximum device temperature [°C]:

100

40. Filling:

Mechanical cock

31. Number of power control stages:

2

41. Jacket filling:

Automatic

32. Safety element:

manometer, safety valve

42. Basin shape:

Practically shaped bathtub spout to minimize spillage

33. Safety thermocouple:

Yes

43. Steam pressure regulation:

Automatic - the pressure switch regulates the performance of the device

34. Safety thermostat:

Yes

44. Type of drain valve:

conical

35. Adjustable feet:

Yes

45. Overflow:

Yes

36. Bottom thickness:

2.50

46. Manometer:

Yes

37. Bottom material:

AISI 316

47. Water filling type:

Cold

38. Type of pan:

Fixed