

Technical data sheet



Product features

Slicer, blade 250 mm plain

Model	SAP Code	00020258
--------------	-----------------	----------



- Blade type: Smooth
- Blade diameter [mm]: 250
- Cutting thickness [mm]: 1-14
- Transfer type: Strappy
- Material: Aluminium
- Safety cover: transparent plexiglass
- Safety element: Two buttons on off switch. safety cover
- Table position: Oblique
- On/Off button: Yes

SAP Code	00020258	Power electric [kW]	0.180
Net Width [mm]	410	Loading	230 V / 1N - 50 Hz
Net Depth [mm]	510	Blade type	Smooth
Net Height [mm]	390	Blade diameter [mm]	250
Net Weight [kg]	13.50	Cutting thickness [mm]	1-14

Technical data sheet



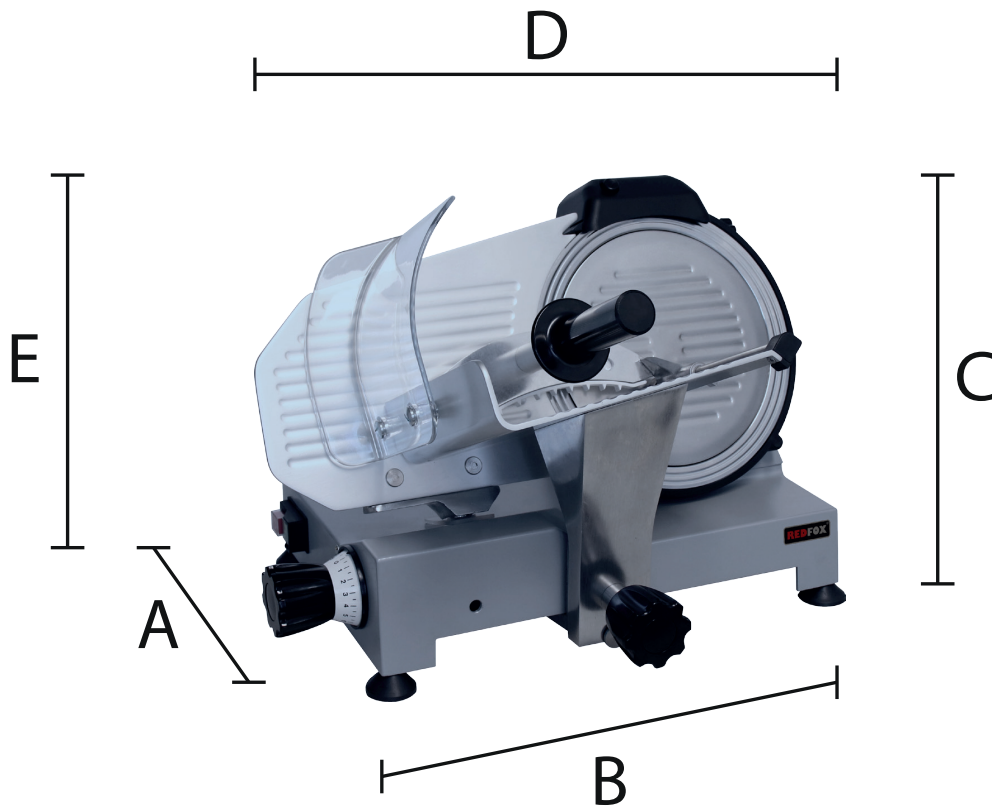
Technical drawing

Slicer, blade 250 mm plain

Model

SAP Code

00020258



Model	Rozměry (cm)	Váha (kg)	Elektrické připojení
GSP 250	30 x 44 x 41 x 51 x 39	13,5	230 x 50 x 1
GSP 275	30 x 44 x 41 x 53 x 42	14,2	230 x 50 x 1
GSP 300	30 x 44 x 41 x 55 x 42	16	230 x 50 x 1
GSP 300 XL	33 x 48 x 47 x 57 x 47	23	230 x 50 x 1

Technical data sheet



Product benefits

Slicer, blade 250 mm plain

Model

SAP Code

00020258

1 | **The slicer is built with polished cast aluminum.**
strength, high corrosion resistance, thermal conductivity
– longer service life of the cutting machine

2 | **Very sturdy and easy to use and clean with little maintenance.**
easy to use and clean
– time savings

3 | **Excellent for cutting meats, vegetables and cheeses.**
variability of use for different foods
– cost savings

4 | **The blade is made in non sticking steel with special grooves.**
the food does not stick, the flow of work
– time saving, uncomplicated work

5 | **Fixed sharpening with bowl to maintain stones clean from food residues.**
the possibility of sharpening the knife without adding a sharpener
– saving time, manpower, costs

6 | **Sliding carriage on teflon bushings with an heavy duty food holder with removable nails for easy cleaning.**
fluidity of work, easy cleaning
– saving human labor, time

7 | **Removing carriage with block sail according to security rules.**
the food cart can be removed
– higher safety, easy cleaning

8 | **Strong fan silenced professional motor.**
lower noise
– health protection

9 | **Two buttons on off switch.**
safety feature
– health protection, safety

10 | **The slicer was designed and manufactured according to international standards for safety, hygiene and food contact.**
meets strict safety and hygiene standards
– higher safety, hygiene

11 | **Slicing thickness 0-14 mm.**
variability of the thickness of the sliced product
– cost savings

12 | **According to the CE rules professional use.**
use in highly specialized and professional operations
– professional product - prestige

Technical data sheet



Technical parameters

Slicer, blade 250 mm plain

Model

SAP Code

00020258

1. SAP Code:

00020258

2. Article group:

RF- Slicers

3. Net Width [mm]:

410

4. Net Depth [mm]:

510

5. Net Height [mm]:

390

6. Net Weight [kg]:

13.50

7. Gross Width [mm]:

500

8. Gross depth [mm]:

400

9. Gross Height [mm]:

580

10. Gross Weight [kg]:

16.50

11. Device type:

Electric unit

12. Material:

Aluminium

13. Device color:

Grey

14. Power electric [kW]:

0.180

15. Loading:

230 V / 1N - 50 Hz

16. Control type:

Electric

17. Safety cover:

transparent plexiglass

18. Safety element:

Two buttons on off switch.
safety cover

19. Engine protection:

ventilator

20. Main switch:

Yes

21. Transfer type:

Strappy

22. Standard equipment for device:

whetstone

23. Additional information:

Noise N. 62 DB

24. Blade type:

Smooth

25. Blade diameter [mm]:

250

26. On/Off button:

Yes

27. Removable moving table:

Yes

28. Anti-adhesive blade treatment:

Yes

Technical data sheet



Technical parameters

Slicer, blade 250 mm plain

Model

SAP Code

00020258

29. Table position:

Oblique

31. Sharpening device:

Integrated

30. Blade cover material:

Plastic

32. Cutting thickness [mm]:

1-14